

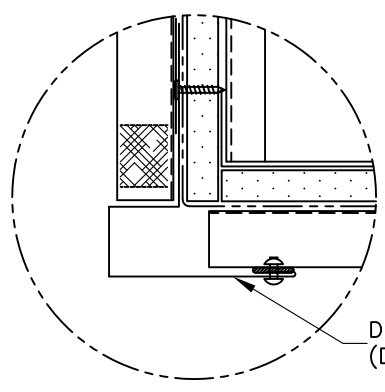
SUBSTRATE

SPECIFIED UNDERLAYMENT (X)

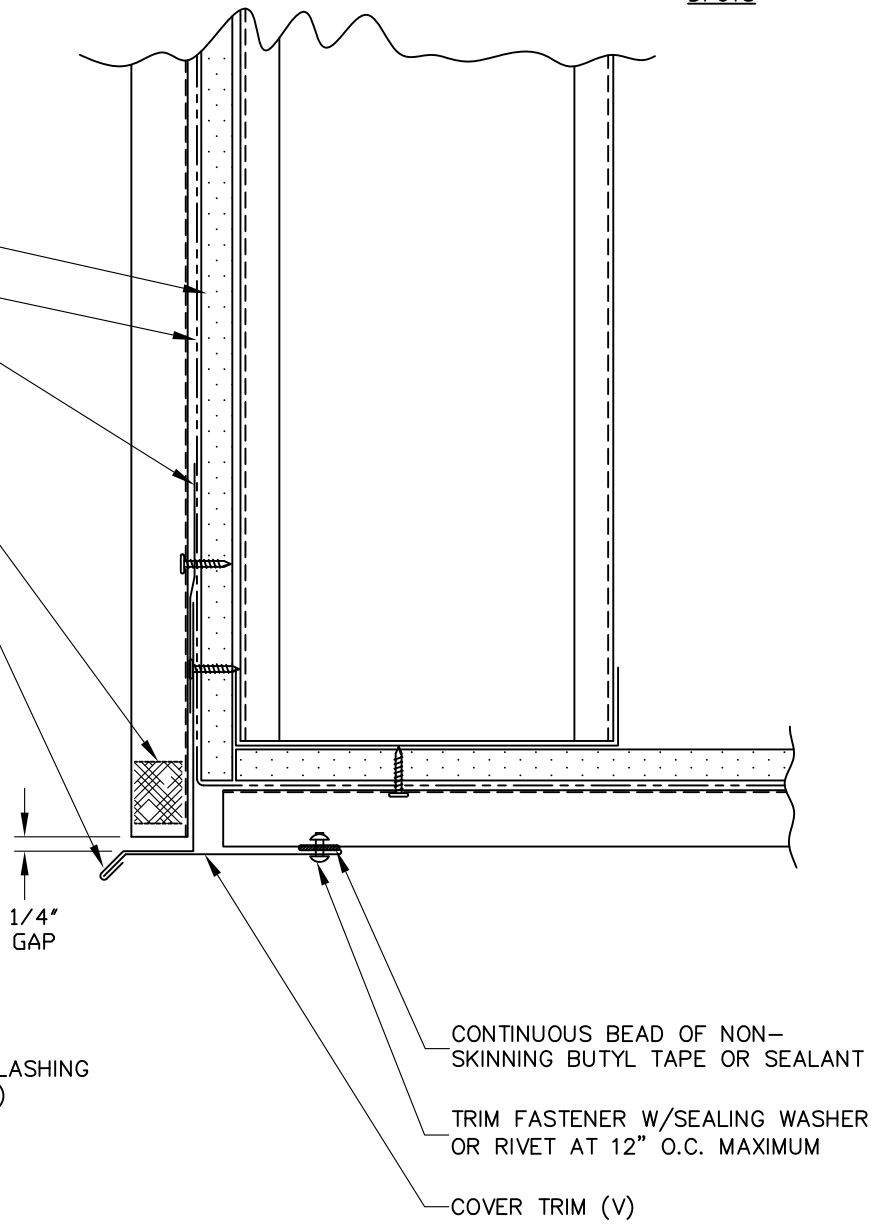
BUTYL FLASHING TAPE (X)

INSIDE CLOSURE (SEALED & SECURED WITH SEALANT)

DRIP FLASHING (DF032)



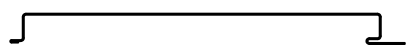
ALTERNATE DETAIL



(X) - NOT BY AEP SPAN
 (V) - DIMENSIONS VARY BASED ON PROJECT CONDITIONS



FLUSH PANEL
 VERTICAL INSTALL.



SOFFIT (FRONT)

FPV-08